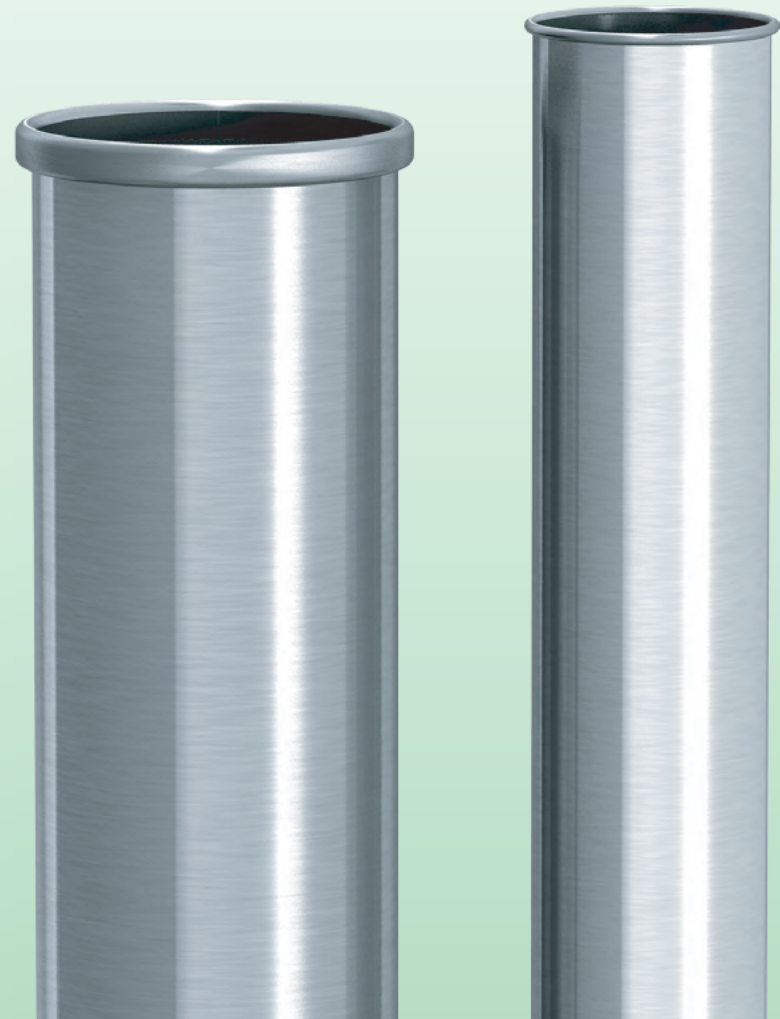




RIGID ALUMINIUM TUBES



ALUCAN (PVT) LTD
Plot E-12 S.I.T.E Area
Karachi, Pakistan
www.alu-can.com

Shred 02, 2018

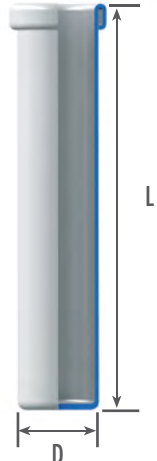


RIGID ALUMINIUM TUBES

www.alu-can.com

Standard Diameters					
Diameter	Length min.	Length max.	Rolled rim	Flat rim	Colours
mm	mm	mm			
20	50	180	x	x	4
22	50	180	x	x	4
27.7	50	200	x	x	4
37	60	200			4
40	50	200	x		4

ALUCAN

Suitable for standard plastic desiccant stoppers!
 *Internal lacquer and bottom lacquer !
 Additional dimensions and special forms on request!

Form / Shape	Versions
	 <p>FLAT RIM</p>
	 <p>ROLLED RIM</p>